



**ANSI/BHMA A156.28–2007**

American National Standard for Master Keying Systems

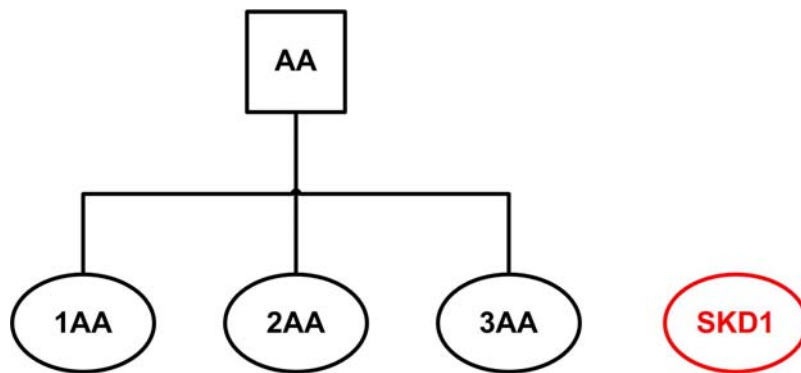
This document is available free of charge to maximize the dissemination of the educational content.

This recommended practice is intended for building owners, security professionals and others responsible for designing, implementing, and maintaining secure keying systems. Minimize legal liability by providing industry proven guidelines.

The purpose of this document is to provide guidelines for the essential keying conference, establish good practices for effective key management, and give building owners the ability to extend the life of keying systems to meet future demands.

The document provides many examples of key system design and symbols, such as:

**2 Level Systems – Simple Master Key System**



The master key symbol consists of TWO letters, such as **AA**. The change key numbers are added to the master key letters. The numbers come FIRST: **1AA, 2AA, 3AA**, etc.

When locks are required which are not operated by the master key or other change keys in the system, they are referred to as “single keyed” and given symbols **SKD1, SKD2**, etc.

When all higher levels of master keys are to be disallowed, suffix (**NMK**) to the symbol of the key which is to operate. This means “not master keyed.” Cylinder **1AA(NMK)** is operated by **1AA** only. The **AA** master is blocked from operation.

The publication also provides a glossary of terms, cross keying information, and much more useful information for industry professionals.